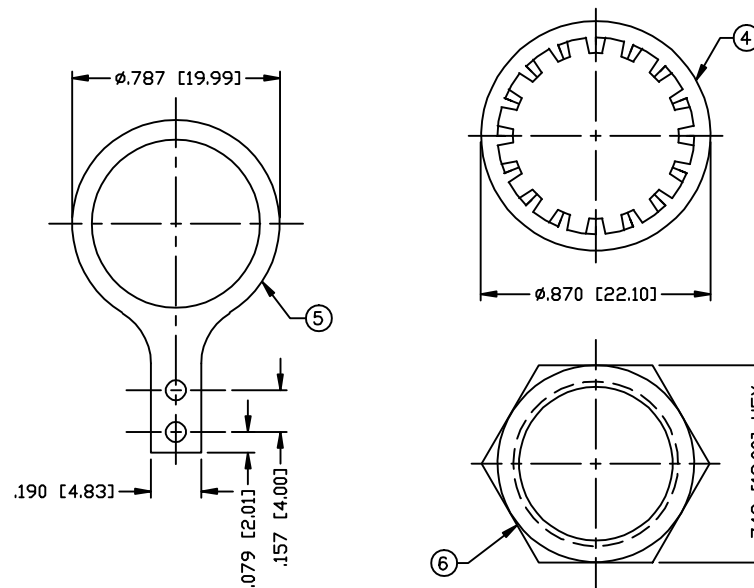
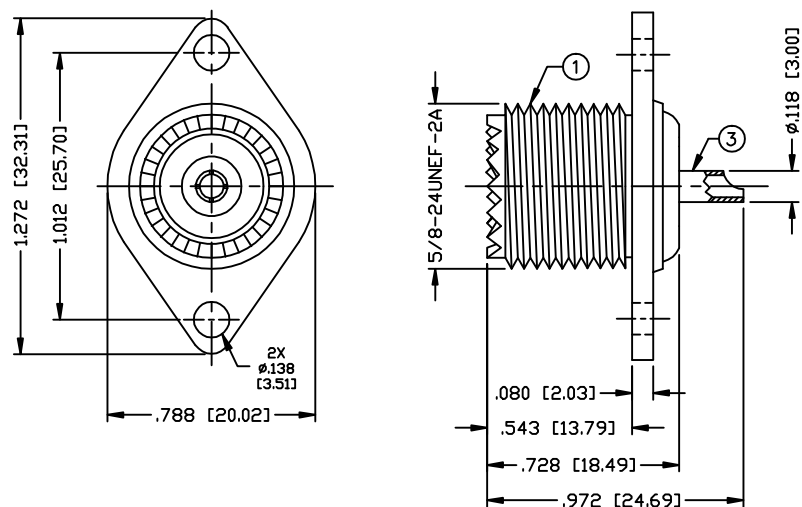


THIS DRAWING CONTAINS INFORMATION PROPRIETARY TO RF INDUSTRIES,  
 ANY UNAUTHORIZED USE OF THIS DRAWING IS EXPRESSLY PROHIBITED  
 WITHOUT WRITTEN PERMISSION FROM RF INDUSTRIES.  
 ANY VIOLATION IS PUNISHABLE UNDER U.S. COPYRIGHT LAWS.

ALL DIMENSIONS ARE REFERENCE ONLY

PART NO. **RFU-522 / SO-239-2H**

REV	DESCRIPTION	DWN	DATE	APPROVED
A	ENGINEERING RELEASE	CZS	4/3/98	R. RICE
B	ADD HARDWARE / CHANGE DWG. FORMAT	CZS	01/13/05	JDMc
C	CHANGE DIELECTRIC MATERIAL FROM PBT	CZS	05/19/10	JDMc



**SPECIFICATIONS:**

IMPEDANCE: NON CONSTANT  
 FREQUENCY RANGE: 0-300 GHz  
 WORKING VOLTAGE: 500 V rms Max. @ Sea Level

1	BODY	1	ZINC DIECAST	NICKEL, 100 $\mu$ "	000459	
2	INSULATOR	1	DELTRIN (POM)	---		
3	CONTACT	1	BRASS	SILVER, 30 $\mu$ "		
4	WASHER	1	STEEL	NICKEL, 100 $\mu$ "		
5	SOLDER LUG	1	BRASS	NICKEL, 100 $\mu$ "		
6	HEX NUT	1	IRON	NICKEL, 100 $\mu$ "		
7						
8						
9						
10						
11						
12						
13						
14						
#	DESCRIPTION	QTY	MATERIAL	FINISH	APPROVALS	DATE

UNLESS OTHERWISE SPECIFIED:

DIMENSIONS ARE IN INCHES  
 AND [MILLIMETERS]  
 UNLESS OTHERWISE NOTED  
 TOLERANCES ARE:  
 DECIMALS      DIAMETER

**RFconnectors**  
 DIVISION OF RF INDUSTRIES, LTD.

7610 MIRAMAR RD  
 SAN DIEGO, CA 92126  
 (858) 549-6340  
 (858) 549-6345 FAX

**RFU-522 / SO-239-2H**

UHF FEMALE 2 HOLE FLANGE W/ SOLDER CUP

SIZE	CABLE GROUP	DWG. NO.	REV
A	N/A	RFU-522	C
SCALE:	NTS	CAD FILE	OUTLINE
		SHEET 1 OF 1	